



Specification [2366 rev B]
<http://thespaberry.com>

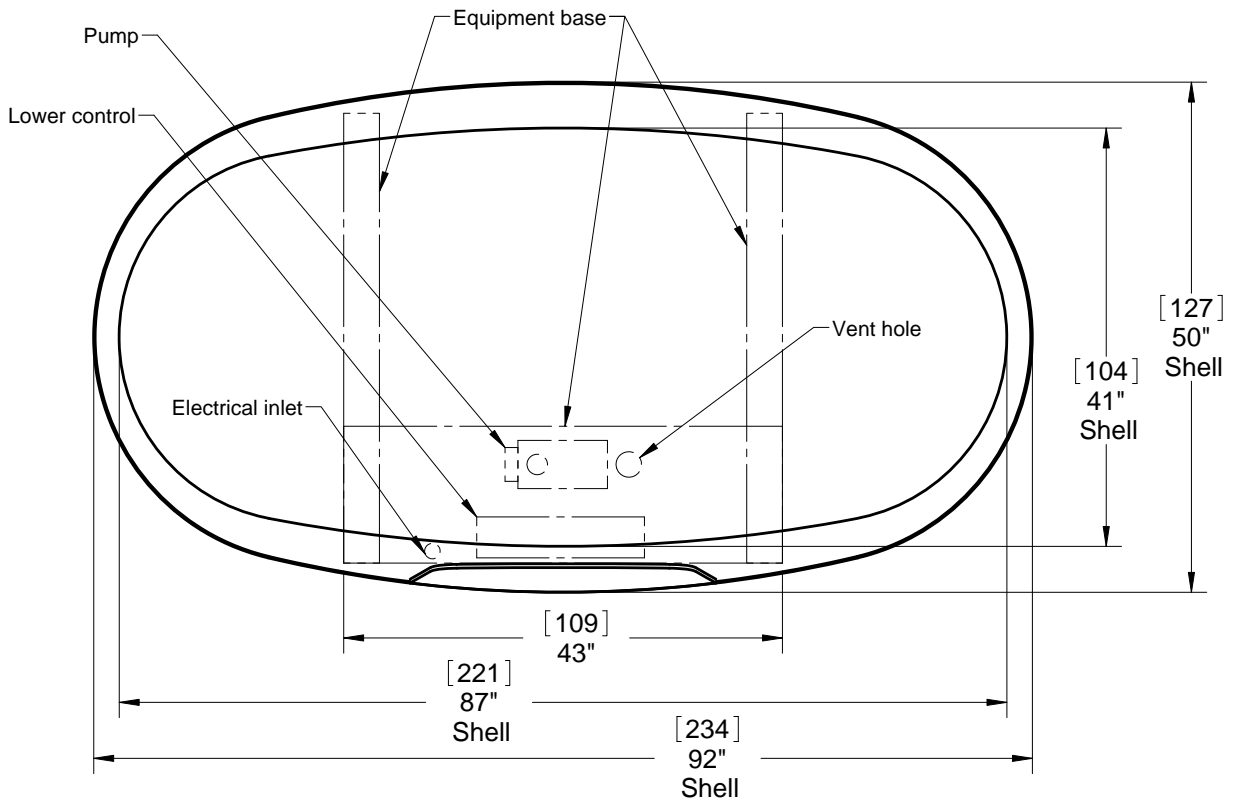
Spa Berry

General	
Shape	Oval
Seating Capacity	2
Shell Material	Acrylic
Dimensions	92" x 50" x 29" / (234 cm x 127cm x 74cm)
Water Capacity	125 Gallons (473 Liters)
Dry Weight	240 lbs (109 kg)
Shipping Weight	360lb (163 kg)
Full Weight	1280lbs (580 kg)
Water System	
Plumbing System	1
Filters/Coverage	1/35 sq. ft.
Luxury Jet-Rotator	3
Luxury Jet-Directional	3
Sensor Fitting	1
Pump Returns	1
Skimmer	8" Weir
Special Features	
Water Feature	Yes
Water feature Volume Control	Yes
Pump Information	
	Domestic (60Hz)
Motor Size - Peak (Continuous) HP	3.0 (1.5) Hp
Jet Pumps # of Pumps/Speed	One/Dual
Electrical System	
	Domestic (60Hz)
Voltage	120/240
Amperage	15/30/40
Heater	Gecko
Thermostat	Electronic
Light	LED
Control System	SSPA SINGLE 1.5 Hp
GFCI Cord	Yes
Top side control	K-30

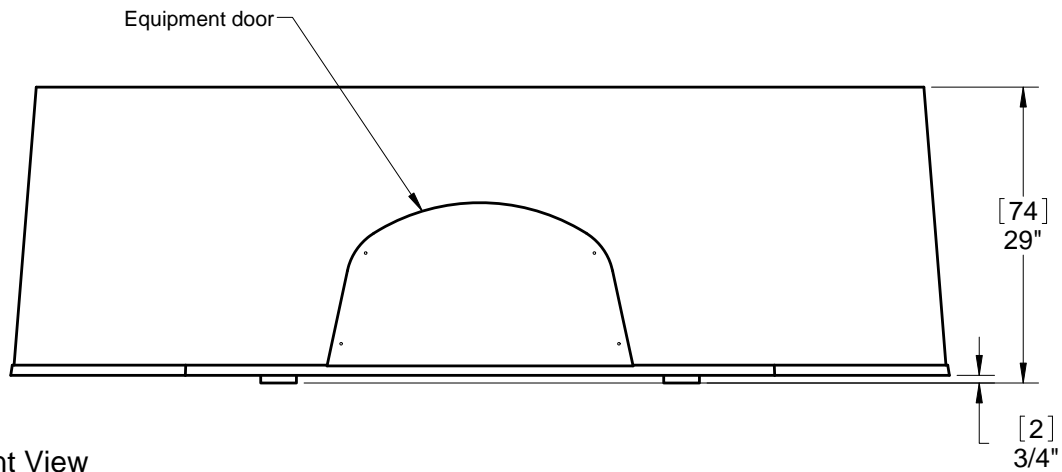
Note: 1. Subject to change without notice.

Spa Berry

Architectural Specifications



Top View



Front View

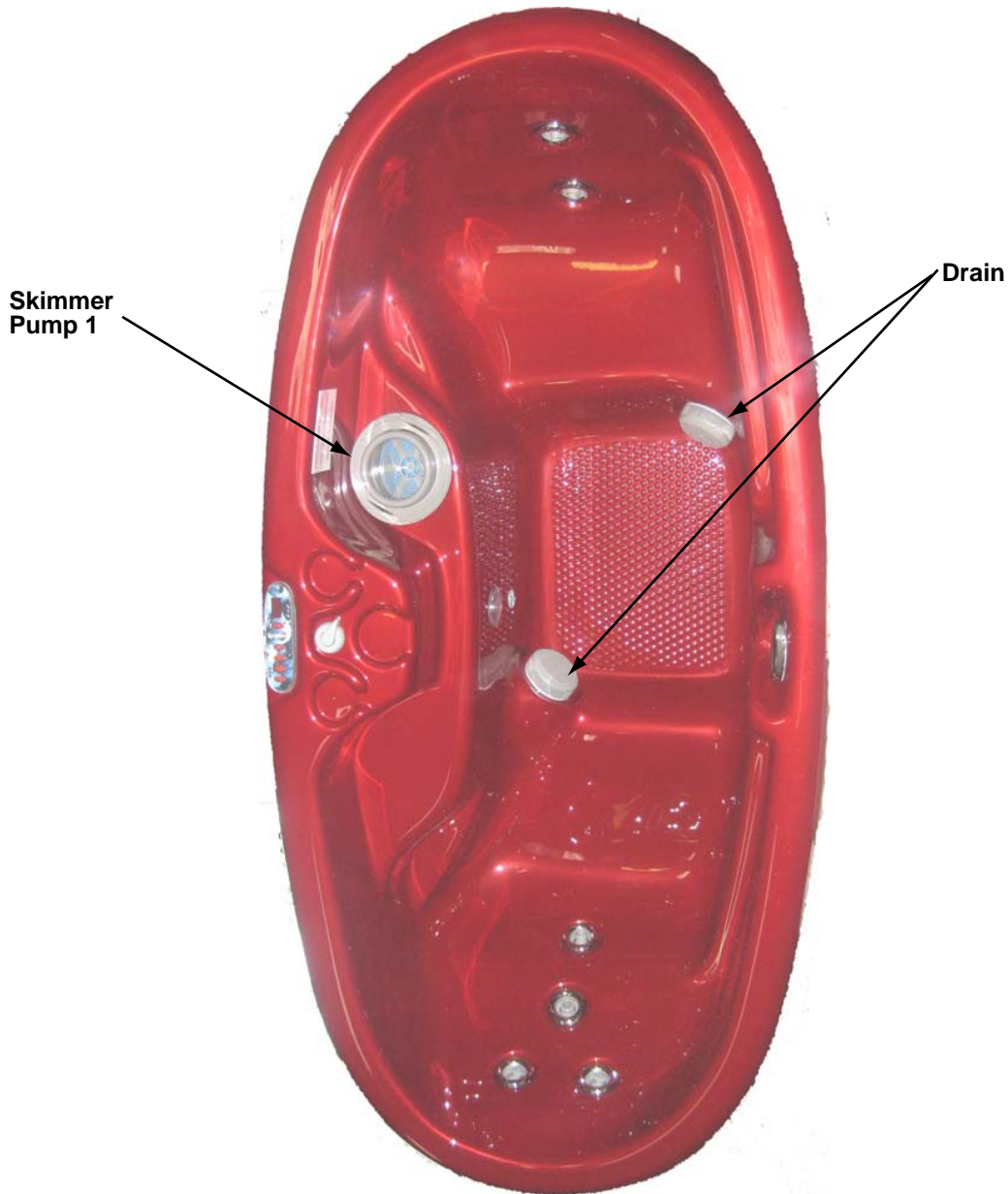
Caution:

Due to manufacturing tolerances there could be some minor differences between the actual spa and the drawing above. If site planning is critical to such tolerances, be sure to measure your actual spa.

Notes: Subject to change without notice.

1. Engineering specs may differ slightly from brochure.
2. Dimensions in [] are in centimeters.

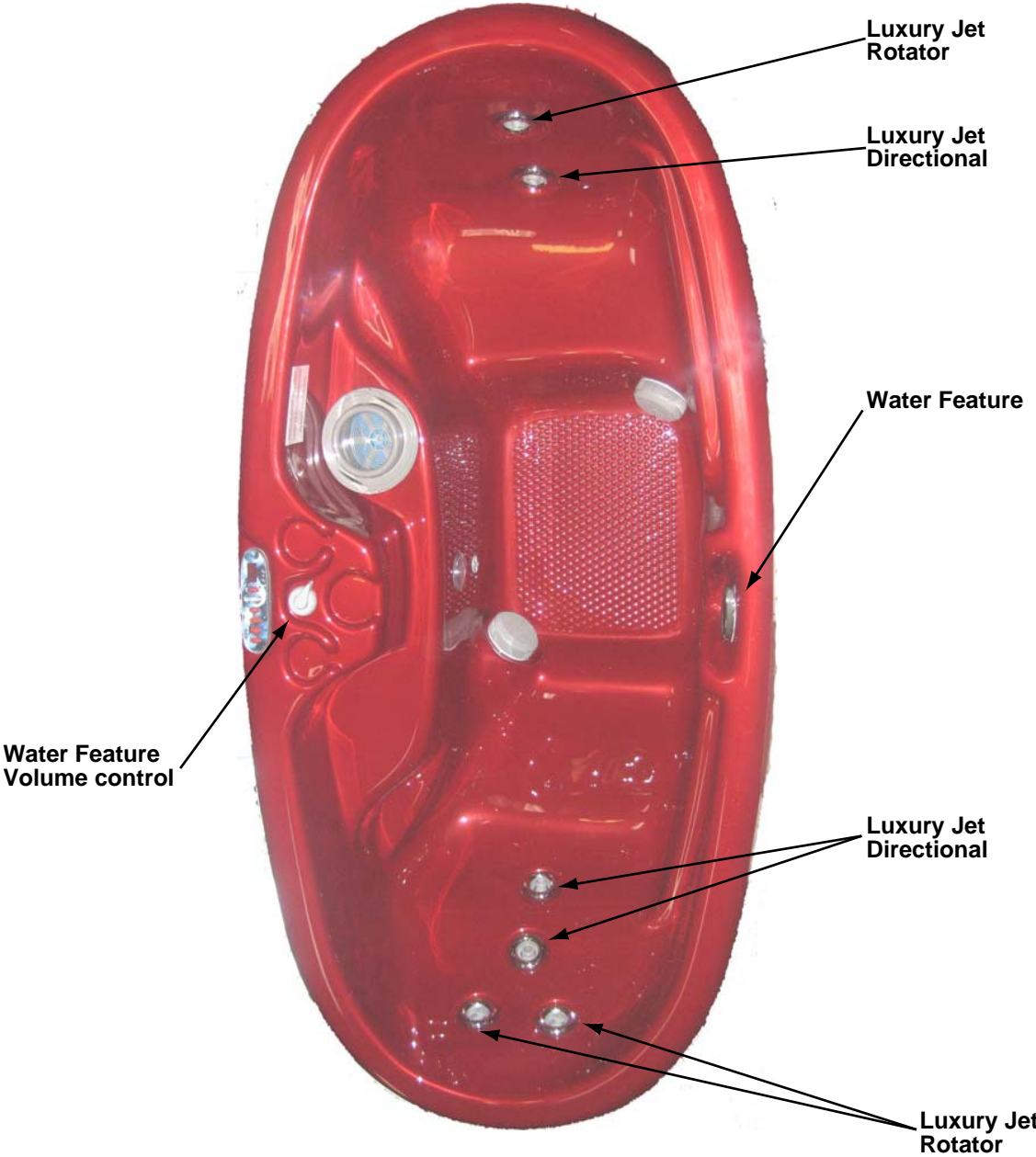
Spa Berry Plumbing Configuration



1. Pump 1 all common jets

Notes: Subject to change without notice.

Spa Berry Jet Insert Designations



Notes: Subject to change without notice.